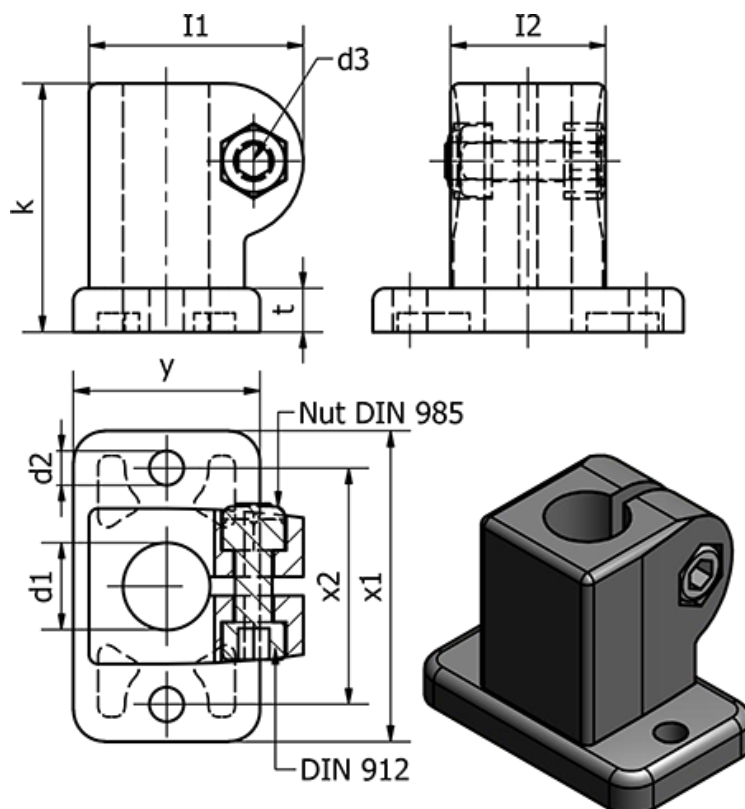


Article number: 201623B162SW

Description: E+G Swivel clamp - GN 162.3-B16-2-SW

Measures



Clamping kit for d3 = GN 911-M6-22

| | |
|----|--------|
| d1 | = 16 |
| d2 | = 5.5 |
| d3 | = M6 |
| I1 | = 34.5 |
| I2 | = 25 |
| k | = 40 |
| t | = 7 |

Weight (g) = 67

| | |
|----|------|
| x1 | = 50 |
| x2 | = 38 |
| y | = 30 |